



Product Specification

Hilux Gen2 COB LED Strips - 230V - 13W - 845lm - 3000K - CRI95+ - 50m - IP67

Item No.:

----- 5714255009958

Series: 230V COB DOB Series

Driver on board

Features

AC DOB solution with built-in drivers provide a max running length of 65meters.

Additionally, this DOB solution allows for smaller cutting units, with a length of only 25cm, as opposed to the conventional light strip's 50cm cutting unit.

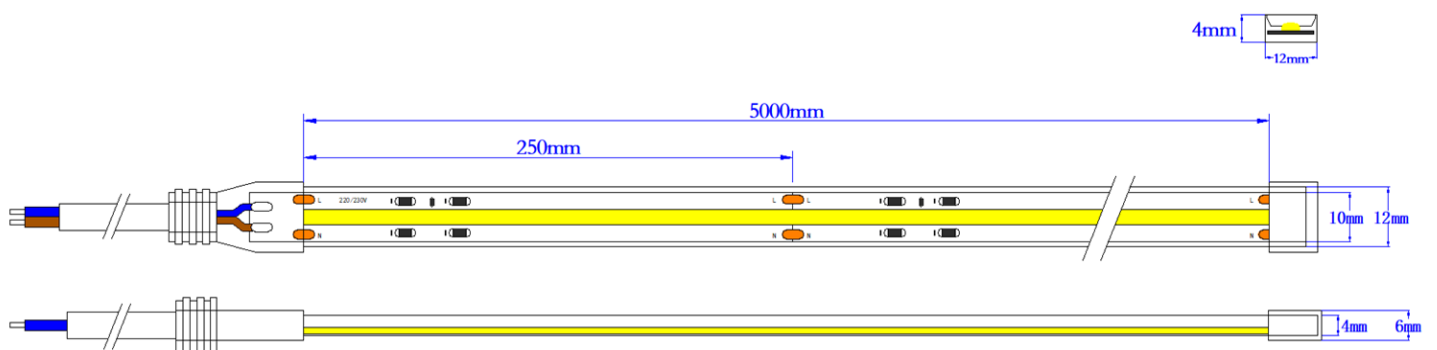
Superb lighting quality boasting true colors with CRI95+.

Waterproof and dustproof IP67, made by high-quality silicone material with high light transmittance, UV resistance, and resistance to acid and alkali corrosion.

Picture



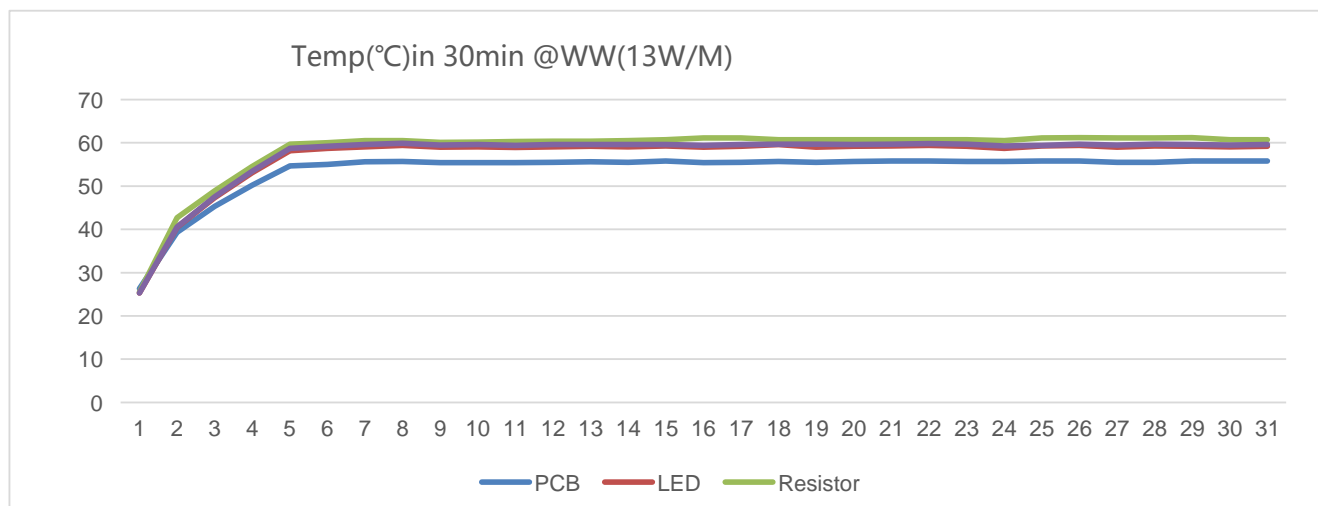
Dimensions



Specifications	
Item NO.	5714255009958
Code	HluX DOB COB strip
LED Type	COB
Input Voltage	AC220-230V
CRI	Ra95+
Power	13W/m
CCT	3000K
Lm/M	845
Lm/W	55
Size	W 12mm H 4mm L 50m
Cutting Length	25 CM
Lifespan	50,000 H
Working Temperature	-20°C - 40°C
Storage Temperature	-20°C - 45°C
Warranty (years)	3

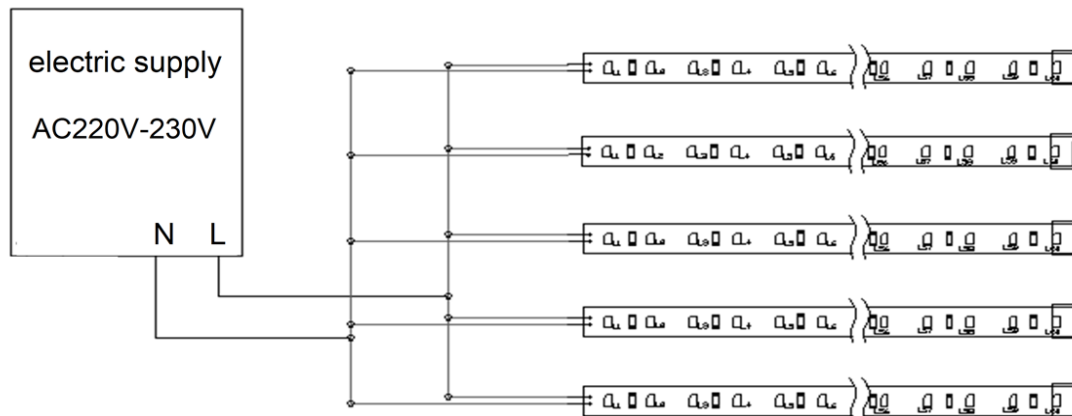
* the given electrical data reflect typical values, each can vary up to 10%.

Temperature Curve



The above curves indicate the temp. changing in Resistor, LED, PCB within 30 minutes after powering on, under the ambient temperature of 25 °C.

Installation Ways



* Make sure of the total watts of LED Strip lights is less than 80% of the power supply's max output.

Applications

* Residential lighting, decorative lighting. Outdoor, building light

