

# HiluX

## Product Specification

HiluX Gen2 COB LED Strips - 24V - 7W - 500lm - 3000K - CRI95+ - 10m - IP65

HiluX Gen2 COB LED Strips - 24V - 7W - 500lm - 3000K - CRI95+ - 5m - IP65

HiluX Gen2 COB LED Strips - 24V - 7W - 500lm - 2700K - CRI95+ - 5m - IP65

HiluX Gen2 COB LED Strips - 24V - 7W - 550lm - 4000K - CRI95+ - 5m - IP65

Item No.:	5714255009897 (3000K 10m.)
	5714255009903 (3000K 5m)
	5714255009910 (2700K 5m.)
	5714255009927 (4000K 5m)

-----  
Series: Longline COB  
-----  
\_\_\_\_\_

### Why choose this LED strip?

**Extended Length Capability:** Unlike traditional LED strips that are limited to 5 meters due to voltage drop, our new COB LED strip can be installed in lengths up to 20 meters without experiencing any voltage drop, ensuring consistent brightness throughout.

**Seamless Illumination:** Our COB LED strips provide smooth, continuous lighting without the visible dots typical of standard LEDs, offering a cleaner and more aesthetically pleasing light output.

**High Color Accuracy:** Featuring a Color Rendering Index (CRI) of 95, these LED strips offer superior color fidelity, ensuring that colors are rendered true to life with exceptional vibrancy and accuracy.

## Features

Chips-on-board design, dot free even without any profiles.

Constant current design, 20 meters running by only one-end power with no brightness drop.

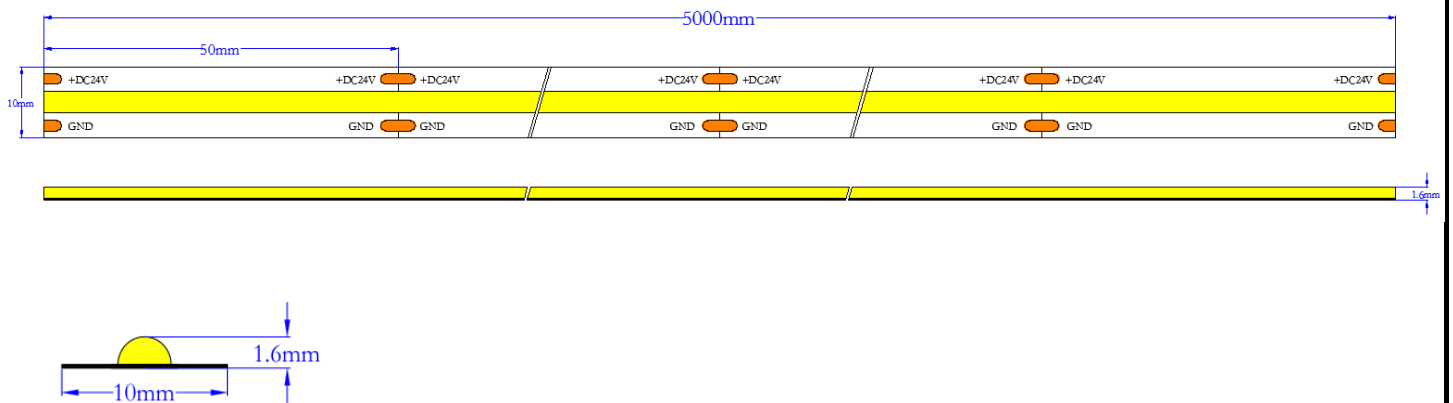
Superb lighting quality boasting true colors with CRI95+.

Double layer 2oz PCB, balancing the voltage drop, heat dissipation and flexibility.

## Picture



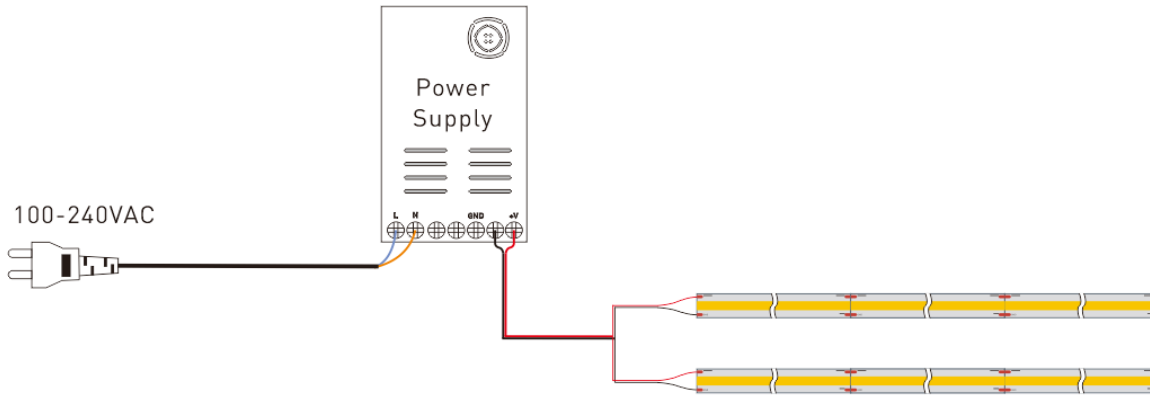
## Dimensions



<b>Specifications</b>			
Item NO.	5714255009897 (3000K 10m.) 5714255009903 (3000K 5m) 5714255009910 (2700K 5m.) 5714255009927 (4000K 5m)		
Code	Longline COB 3000K		
Input Voltage	24Vdc		
Power	7W/m		
CRI	Ra95+		
CCT	2700K	3000K	4000K
Lm/M	500	500	525
Lm/W	75	75	75
IP rating	IP65 - heat shrink tube IP65		
Size	W 10mm   H 1.6mm   L5,000mm/L10,000mm		
Cutting Length	50mm		
Lifespan	50,000 H		
Working Temperature	-20°C - 40°C		
Storage Temperature	-20°C - 45°C		
Warranty	3 years		

\* the given electrical data reflect typical values, each can vary up to 10%. For IP65 protection, the extra flux loss is approx. 5%.

## Installation Ways



- \* The max running length is 20 meters, for over 20 meters please connect in parallel.
- \* Make sure of the total watts of LED Strip lights is less than 80% of the power supply's max output.
- \* Match the polarities according to the mark ('+' and '-') in the PCB while connecting.

## Applications

- \* Residential lighting, office, outdoor, decorative lighting.

